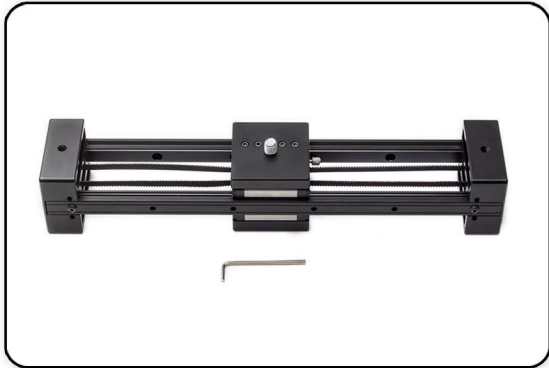
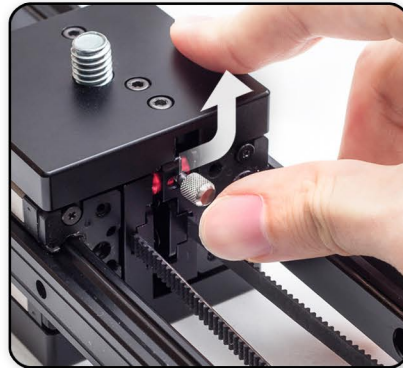


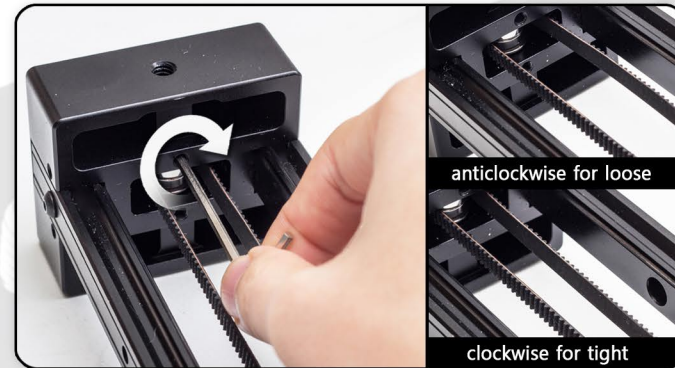
motion9 LINECAM 34 /46



Components
LINECAM (1ea) , L-wrench (1ea)

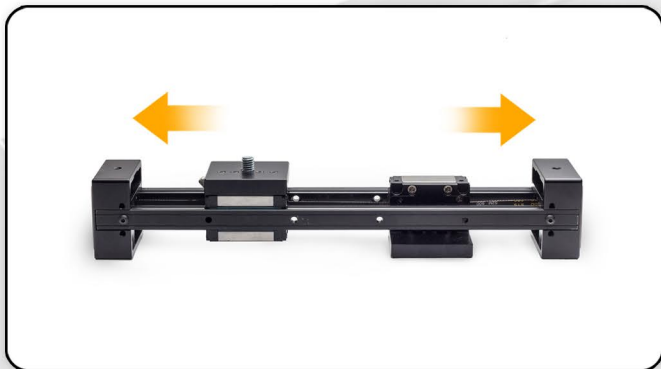


1. Please unlock the key in the direction of arrows



2. Adjust the tension by the wrench (hole in the right and left)

Attention Please turn the same rounds in the upside and below when adjust



Sliding range on the ground
LINECAM 34 = 230mm (9")
LINECAM 46 = 350mm (13.7")



Sliding range on tripod
LINECAM 34 = 470mm (18.5")
LINECAM 46 = 700mm (27.5")

Address : motionnine 1633-3 Oryu-dong, Seo-gu, Incheon, Korea
Tel : +82-70-7797-8078 / Fax : +82-2-6935-1645
Technical support : motion_nine@naver.com
Homepage : www.motionnine.com